

# SMALL GYMNASIUM FLOOR REPLACEMENT MURPHYSBORO MIDDLE SCHOOL MURPHYSBORO CUSD #186 2125 SPRUCE STREET MURPHYSBORO, JACKSON COUNTY, IL 62966

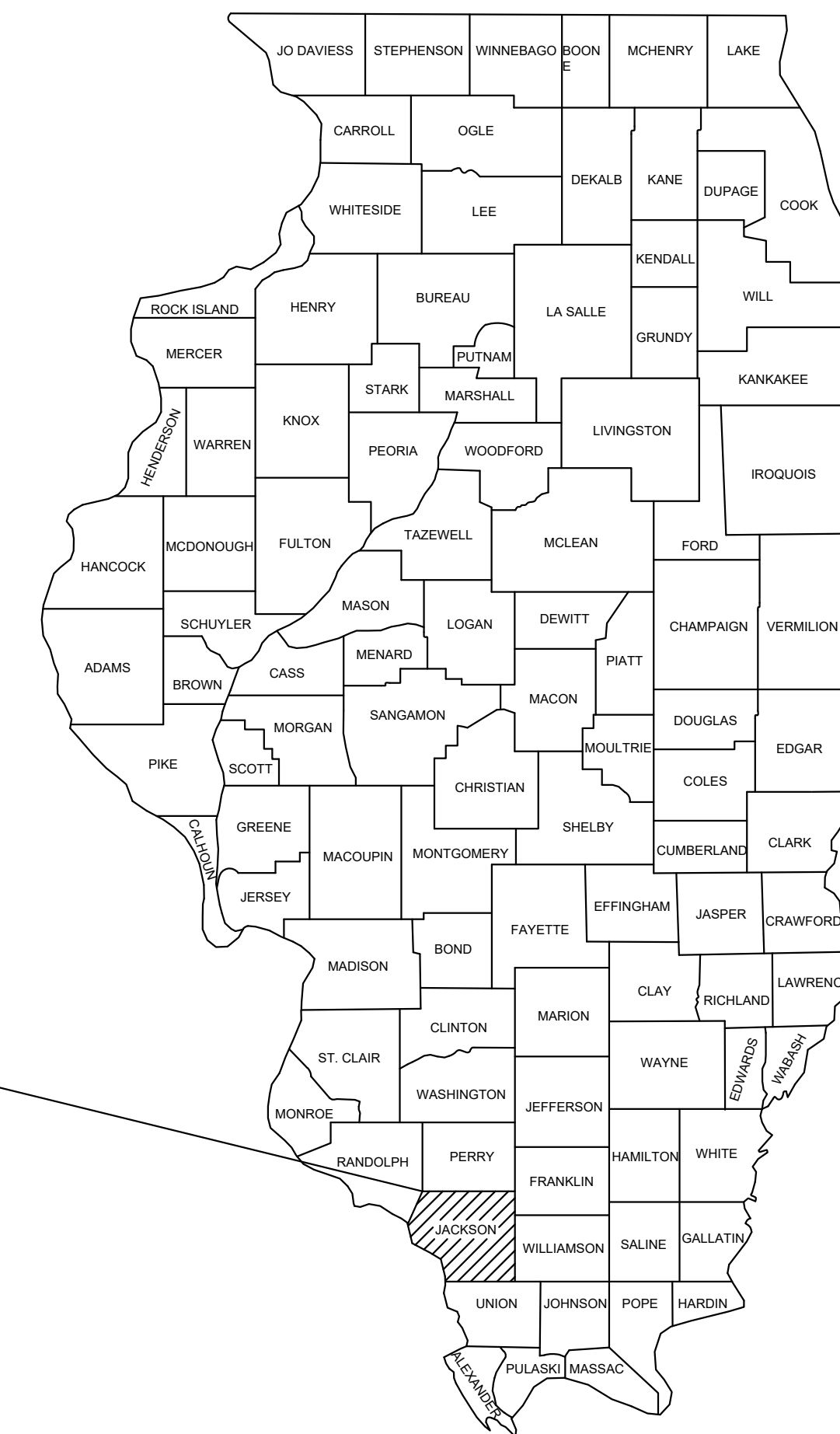
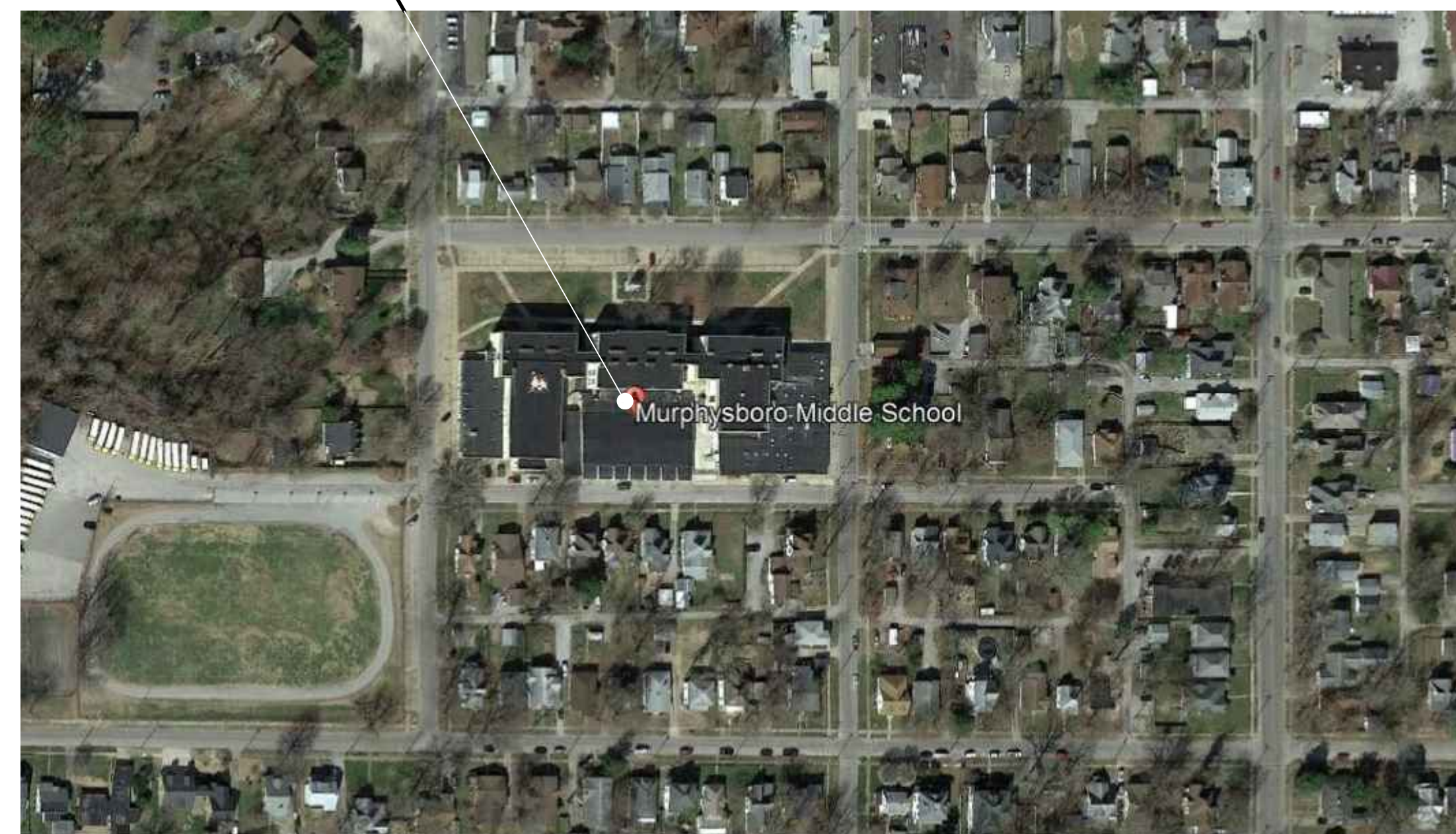


HURST ROSCHE, INC.

200 N. Market Street  
MARION, ILLINOIS 62959  
618.998.0075 t  
www.hurst-rosche.com

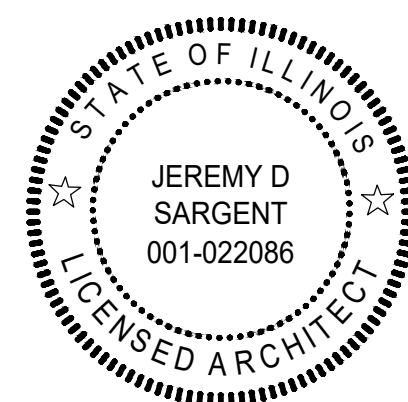
HILLSBORO, IL  
EAST ST. LOUIS, IL  
SPRINGFIELD, IL  
ARNOLD, MO  
NEOSHO, MO  
NASHVILLE, TN

PROJECT LOCATION



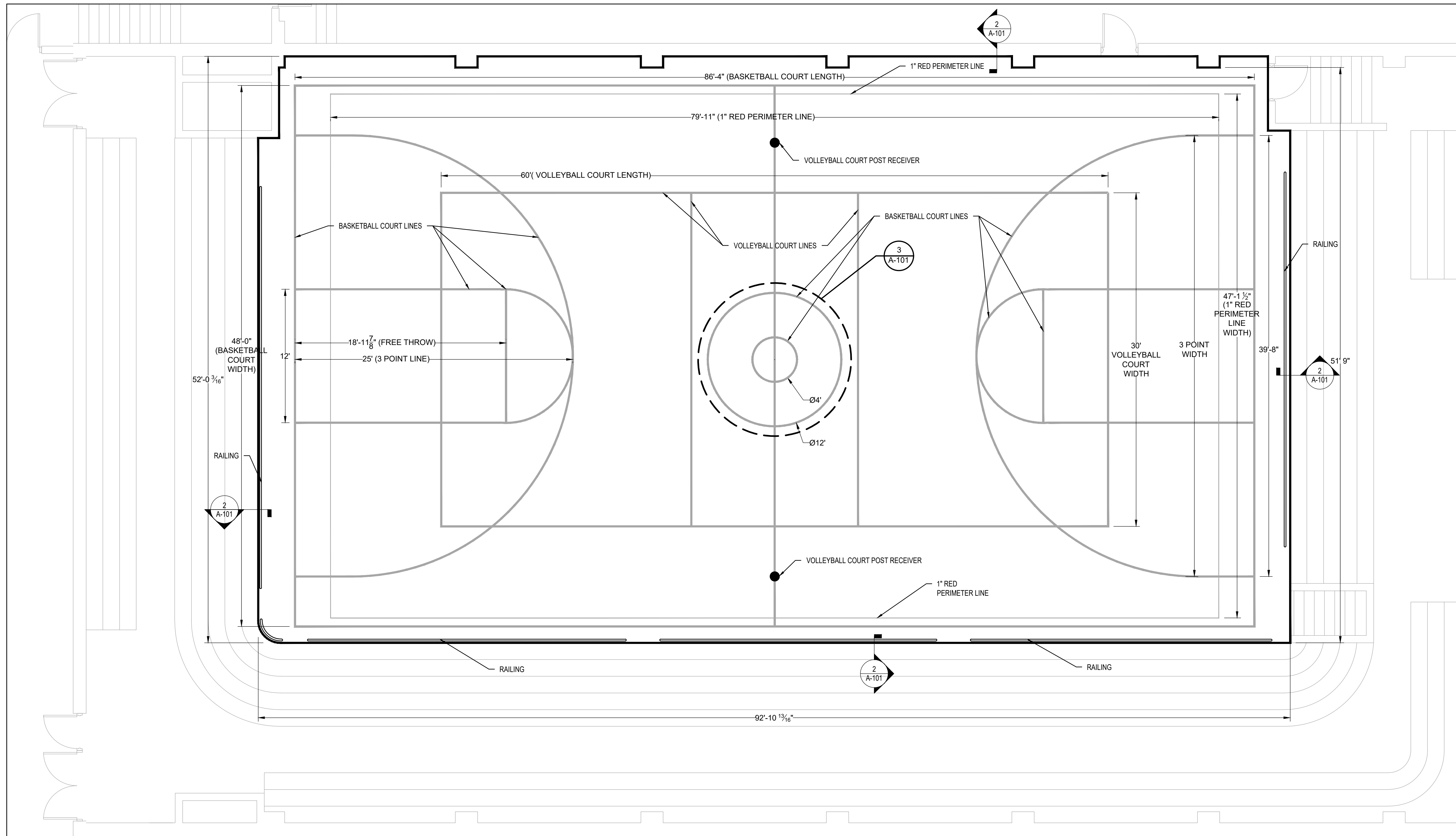
SHEET INDEX:

- G001 - COVER SHEET
- A101 - ENLARGED SMALL GYM FLOOR PLAN



*J. Sargent*  
JEREMY D. SARGENT, AIA  
DATE: \_\_\_\_\_  
LICENSE: \_\_\_\_\_  
EXPIRES: \_\_\_\_\_

DATE: 07/06/2020



**SHEET NOTES**

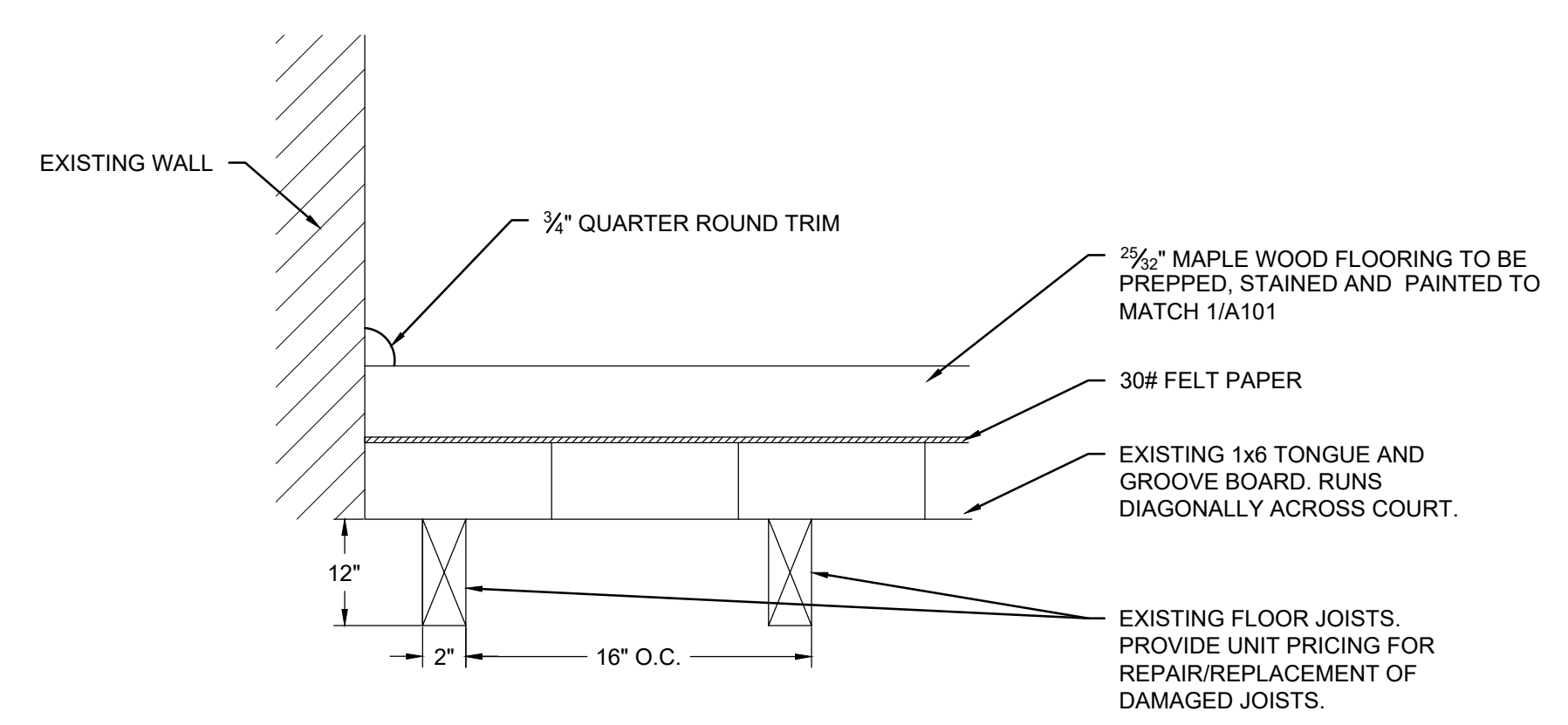
1. REMOVE AND REINSTALL VELCRO AT NORTH AND SOUTH FACE OF BLEACHERS. MATCH EXISTING.
2. DEMO EXISTING GYM FLOOR AND FELT PAPER.
3. ALL NECESSARY COURT PENETRATIONS SUCH AS, BUT NOT LIMITED TO, VOLLEYBALL COURT POST RECEIVERS TO BE REMOVED AND REINSTALLED IN CORRECT LOCATION BASED UPON NEW SPORT COURT STRIPING. IF UNABLE TO SALVAGE, PROVIDE NEW. SEE SPECIFICATION 09 64 13. COORDINATE LOCATION WITH OWNER.
4. BASKETBALL COURT STRIPING TO BE 2" THICK, BLUE LINES TO MATCH EXISTING.
5. VOLLEYBALL COURT STRIPING TO BE 2" THICK, WHITE LINES TO MATCH EXISTING.
6. PERIMETER STRIPING TO BE 1" THICK, RED LINE TO MATCH EXISTING.



**Hurst-Rosche, Inc.**  
 PROFESSIONAL DESIGN NUMBER: 184-000298  
 200 NORTH MARKET ST.  
 MARION, IL 62959  
 PH: 618.998.0075  
 www.hurst-rosche.com  
 HILLSBORO, IL  
 EAST ST. LOUIS, IL  
 SPRINGFIELD, IL  
 ARNOLD, MO  
 NEOSHO, MO  
 NASHVILLE, TN

STATE OF ILLINOIS  
 JEREMY D. SAGENT  
 001 022086  
 ARCHITECT  
 SIGNATURE  
 DATE 01-20-2020  
 LICENSE EXPIRES 11-30-2020

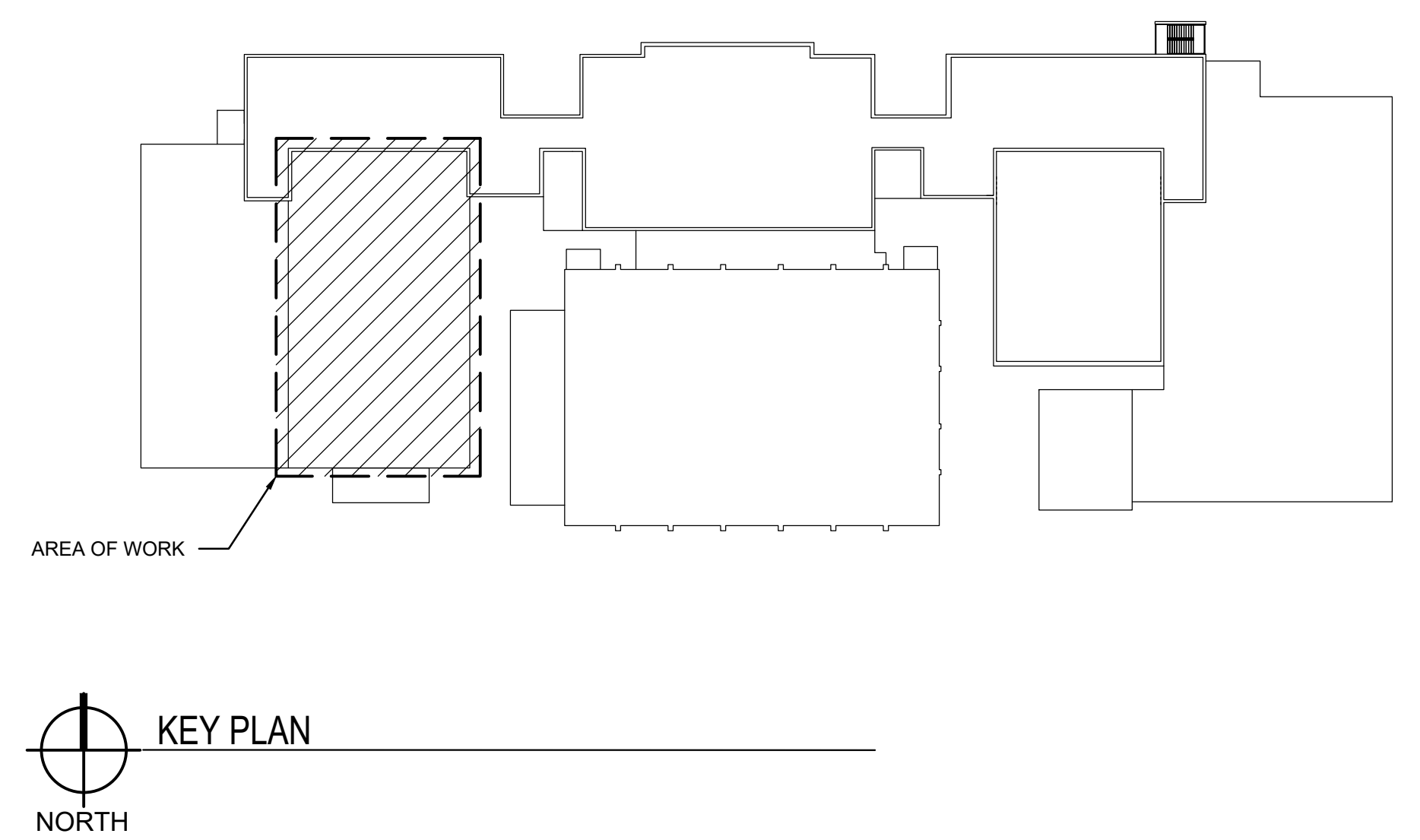
1 ENLARGED SMALL GYMNASIUM FLOOR PLAN  
 SCALE: 3/16" = 1'-0"



2 DETAIL  
 SCALE: 1-1/2" = 1'-0"



3 LOGO  
 SCALE: NTS



KEY PLAN  
 NORTH

**SMALL GYMNASIUM FLOOR REPLACEMENT**  
 MURPHYSBORO MIDDLE SCHOOL  
 MURPHYSBORO CUSD #186  
 2125 SPRUCE STREET  
 MURPHYSBORO, JACKSON COUNTY, IL 62966

MARK	DATE	DESCRIPTION

DATE: 07-01-2020  
 PROJECT NO: 365-1750  
 DESIGN: JDS DRAWN: CHECK: JDS

GYM FLOOR PLAN

**A101**