

DATE: December 29, 2021

HURST-ROSCHE, INC.  
No. 5 Bank Square  
East St. Louis, Illinois 62203  
Phone: 618-398-0890

TO: PROSPECTIVE BIDDERS

SUBJECT: ADDENDUM NO. 4 TO THE BIDDING DOCUMENTS FOR

**LOCKER ROOM RENOVATION  
EAST ST. LOUIS SENIOR HIGH SCHOOL  
EAST ST. LOUIS SCHOOL DISTRICT 189  
EAST ST. LOUIS, ILLINOIS  
HR Project # 280-0361**

This addendum forms a part of the bidding and contract documents and modifies the original bidding documents dated November 15, 2021. Acknowledge receipt of this addendum in the space provided on the Bid Form. **FAILURE TO DO SO MAY SUBJECT BIDDER TO DISQUALIFICATION.**

\*\*\*\*\*

**Upon receipt of this addendum, please sign below and email to Hurst-Rosche, Inc. at [gemmons@hurst-rosche.com](mailto:gemmons@hurst-rosche.com) within 24 hours of receipt.**

<b>RECEIVED BY:</b>	_____
	<b>Company Name/Authorized Representative</b>
<b>DATE:</b>	_____

**CLARIFICATIONS**

A. Responses to questions received by RFI:

- a. **Question:** There is sports flooring in the weight room but there is no specification. What is the basis of design for the weight room sport flooring?  
**Response:** Weight Room flooring will be an Owner selected product that matches flooring used elsewhere in the school. However, product information is not currently available. Project scope includes a cash allowance for this item.
  
- b. **Question:** How do we differentiate Std fixtures from ADA? Plans do not indicate ADA.  
**Response:** ADA compliant fixtures are as follows:

This addendum consists of seven (7) pages.

MENS ATHLETIC RESTROOM AND SHOWER #105

- north shower, southeast toilet, southeast urinal & north sink.

MENS ATHLETIC RESTROOM AND SHOWER #101

- south shower, northeast toilet, northeast urinal & south sink.

WOMENS ATHLETIC RESTROOM AND SHOWER #111 & #113

- north shower, northwest toilet, & north sinks.

WOMENS ATHLETIC RESTROOM AND SHOWER #115 & #116

- south shower, northeast toilet, & north sinks.

MENS & WOMENS PE RESTROOM AND SHOWER #126 & #122

- west showers, east toilets, east urinal & west sinks.

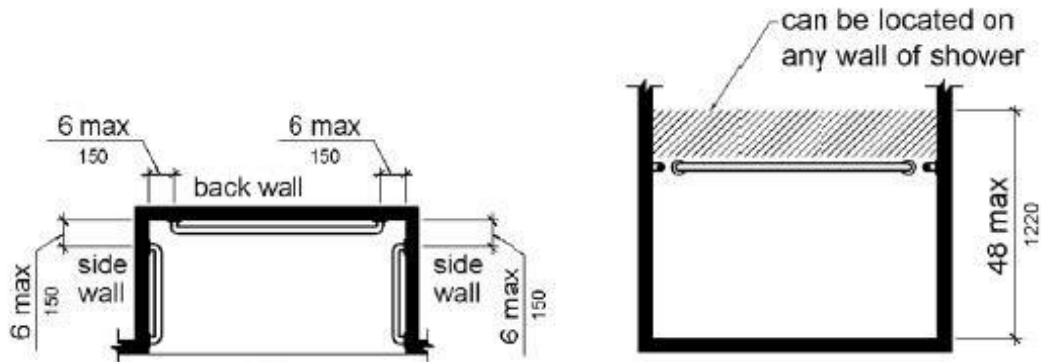
- c. **Question:** Sheet P-101, Rm 110, directs to provide laundry connections, Documents do not provide a specification or model number.  
**Response:** Provide standard laundry connection.
- d. **Question:** Sheet P-601, Toilet Valve, how do you access flush valve to change the batteries or service the valve?  
**Response:** Provide non-concealed flush valve, Attachment #3.
- e. **Question:** Why is Water Closet flush valve concealed & urinal flush valve exposed?  
**Response:** Provide non-concealed flush valve, Attachment #3.
- f. **Question:** Spec Section 22 11 19, does not seem to cover any items that are being used. Please advise locations of items listed in 22 11 19. 1.2.  
**Response:** Delete Spec Section 22 11 19.
- g. **Question:** Sheet P-101, Trainer 107 is noted to receive a new wall hung Lav, will carrier be in the existing wall or behind the existing wall?  
**Response:** Behind existing wall.
- h. **Question:** Sheet P-101, Trainer 107, are we to reuse the wall valves from the existing locations of the whirlpools? May we have a spec sheet on Owner's whirlpools?  
**Response:** Whirlpools are existing equipment on site to be relocated; product information is not available. Salvage or match existing valves & match existing piping.
- i. **Question:** Spec Section 22 13 19.3.1.B, where are trench drains to be installed?  
**Response:** Delete paragraph 3.1.B.
- j. **Question:** Spec does not include specifications for a Standard or Ada shower. Sheet P-601 specifies a Std but not an ADA. Please advise what your intent is.  
**Response:** Please use specified shower. Refer to revision to Sheet A-400, under Drawings section of this addendum for additional information.
- k. **Question:** Sheet P-101, Women's laundry 110, indicates 2ea washer wall hook ups, Men's Laundry 106, & 117 Laundry do not, should there be washer wall boxes in 106 & 117?  
**Response:** Yes, provide standard laundry connection.

This addendum consists of seven (7) pages.

## DRAWINGS

### A. SHEET A-400

1. ADD following diagrams to sheet:



ADD following note below diagrams:

GRAB BARS SHALL BE PROVIDED ON THREE WALLS, INSTALLED 6 INCHES MAXIMUM FROM ADJACENT WALLS. THE CONTROLS, FAUCETS, AND FIXED SHOWER HEAD SHALL BE LOCATED ABOVE THE GRAB BAR, BUT NO HIGHER THAN 48 INCHES ABOVE THE SHOWER FLOOR.

## ATTACHMENTS

(The following attachments are included with this addendum)

- Attachment #1: PARTIAL WEST LOCKER ROOM DEMOLITION PLAN (north TOILET)
- Attachment #2: PARTIAL WEST LOCKER ROOM PLAN (LAUNDRY #110).
- Attachment #3: Non-concealed flush valve.

This addendum **DOES NOT** alter the previously published bid date of **Tuesday, January 11, 2022, at 10:00 AM**, prevailing time, at **Board of Education School District 189 in the Purchasing Department, 1005 State Street, East St. Louis, Illinois 62201.**

Sincerely,

HURST-ROSCHE, INC.

B. Gregory Emmons, AIA

cc: All plan holders, pre-bid attendees, & RFI submitters

This addendum consists of seven (7) pages.







# ZTR6200

## Battery Powered Exposed Sensor Flush Valve for Water Closets

TAG \_\_\_\_\_

### Architectural/Engineering Specification:

Exposed, quiet piston-type, chrome plated flushometer valve with a polished exterior. Complete with chloramine resistant, filtered piston kit. The valve incorporates a battery powered solenoid actuator, automatic sensor with manual override push button, and robust vandal resistant metal cover with 10 degree angled sensor.

### Product Features:

- Proprietary Dezincification resistant low lead brass alloy
- Control Stop has internal siphon-guard protection and vandal resistant stop cap, Sweat solder kit, wall flange with set screw.
- High back pressure Vacuum Breaker with one piece hex coupling nut
- Chloramine resistant Internal seals
- Adjustable tailpiece
- Spud coupling and flange for top spud connection

### Compliance and Certification:

- ADA Compliant - Operational Controls
- WaterSense Compliant



\*This product should be used with a WaterSense labeled counterpart with a compatible flush volume to ensure that the entire system meets the requirements for water efficiency and performance.

### WHEN INSTALLING IN A HANDICAP STALL:

Per the ADA Guidelines (section 604.9.4) it is recommended that the grab bars be split or shifted to the wide side of the stall. If grab bars must be present over the valve, use the alternate ADA installation as shown on the next page.



### Flow Options:

	Flush Volume gpf [Lpf]	Dual Flush	WaterSense Labeled*
<b>-ONE</b>	1.1 gpf [4.1 Lpf]		✓
<b>-EV</b>	1.28 gpf [4.8 Lpf]		✓
<b>-WS1</b>	1.6 gpf [6.1 Lpf]	1.6/1.1 Gpf [6.1/4.1 Lpf]	

Note: Dual Flush feature has 60 second threshold

### Suffix Options:

- DF Dual Flush Option (See Chart Above)
- FM12 Floor Mount 12" Rough In
- LL 10 Year Long Life Battery
- YJ Split Ring Pipe Support
- YK Solid Ring Pipe Support
- YO Bumper on Angle Stop

### Valve Height Options:

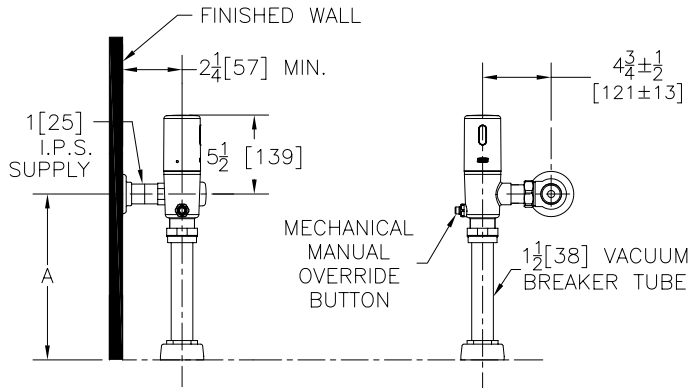
	A
Standard	11 1/2" [292]
-1	16" [406]
-2	24" [610]
-3	27" [686]

**Architectural/Engineering Approval**

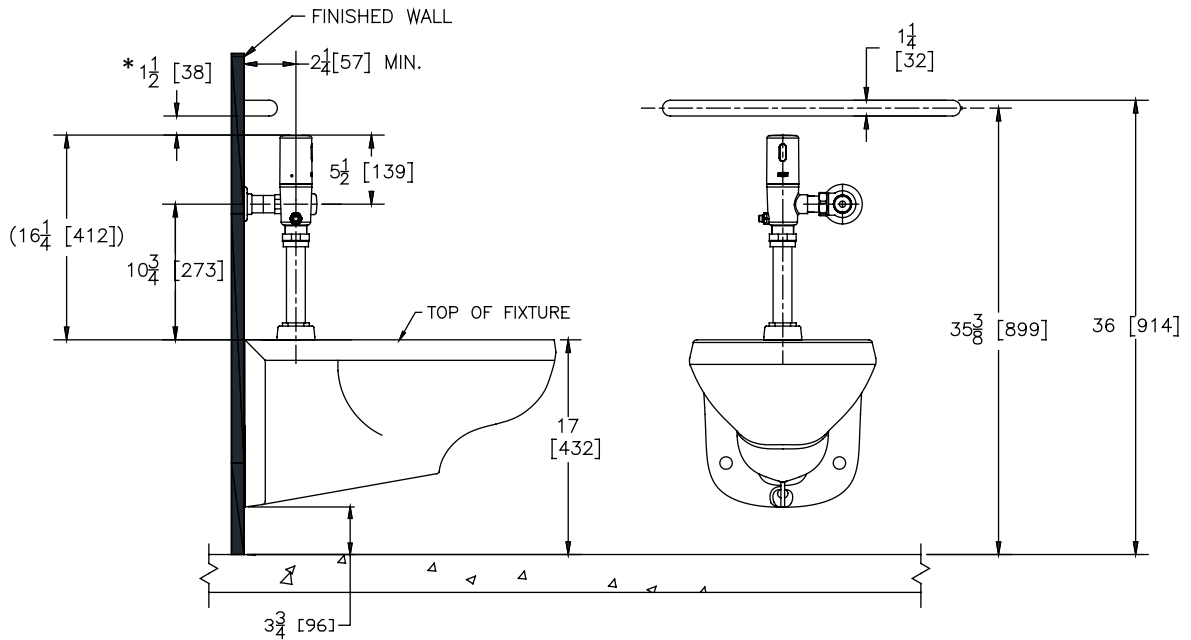
The information contained in this document is subject to change without notice. Please contact Zurn for most up to date information.



### Rough-in/Overview dimensions



### Alternate ADA Installation



- Water supply rough-in to 10 3/4" (minimum) with grab bar at 36".
- ADA compliance met using 1 1/4" grab bar as shown.
- \*ADA compliant minimum gap between wall and grab bar 1 1/2".
- Does not meet California ADA compliance for grab bar height (33" grab bar centerline required)